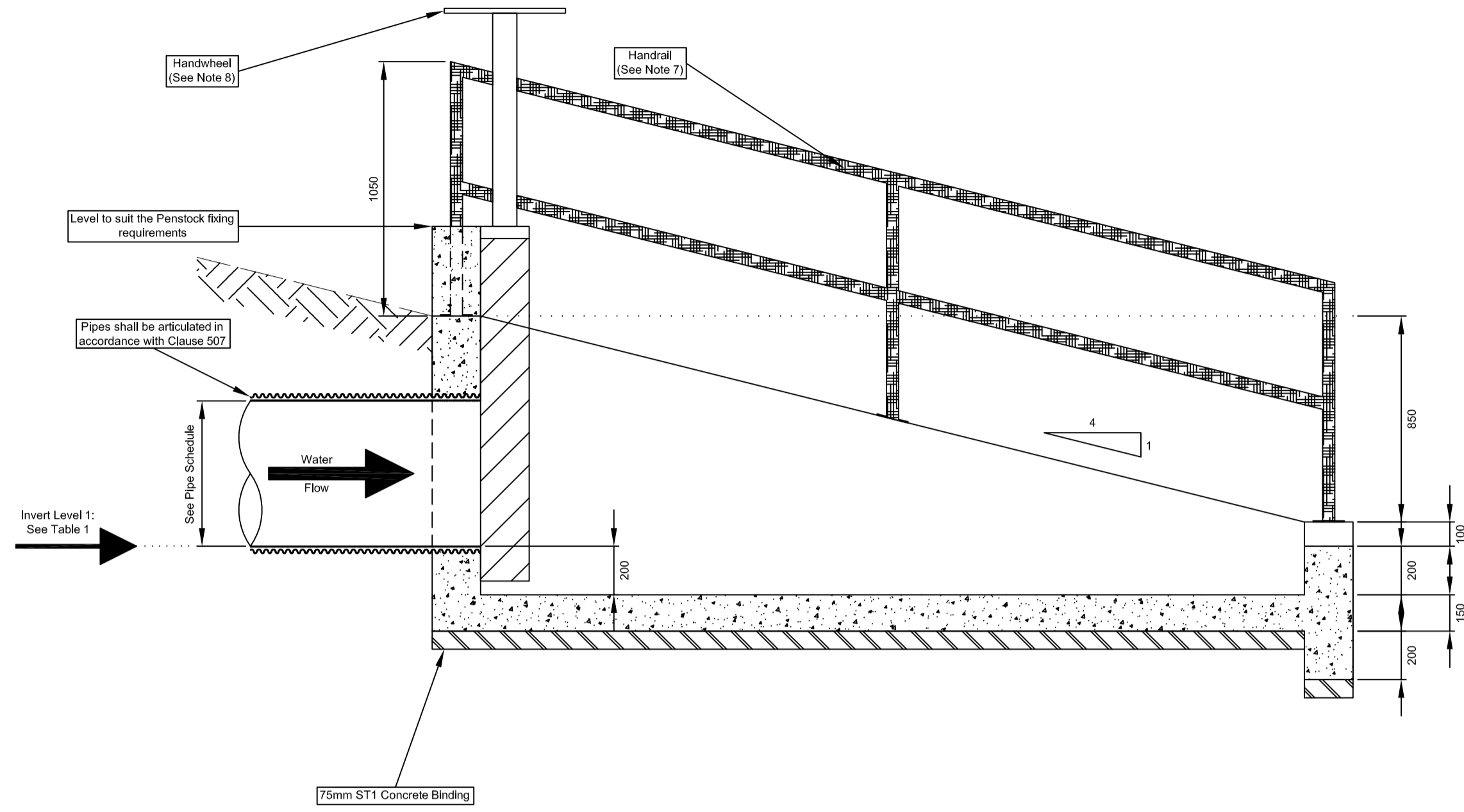
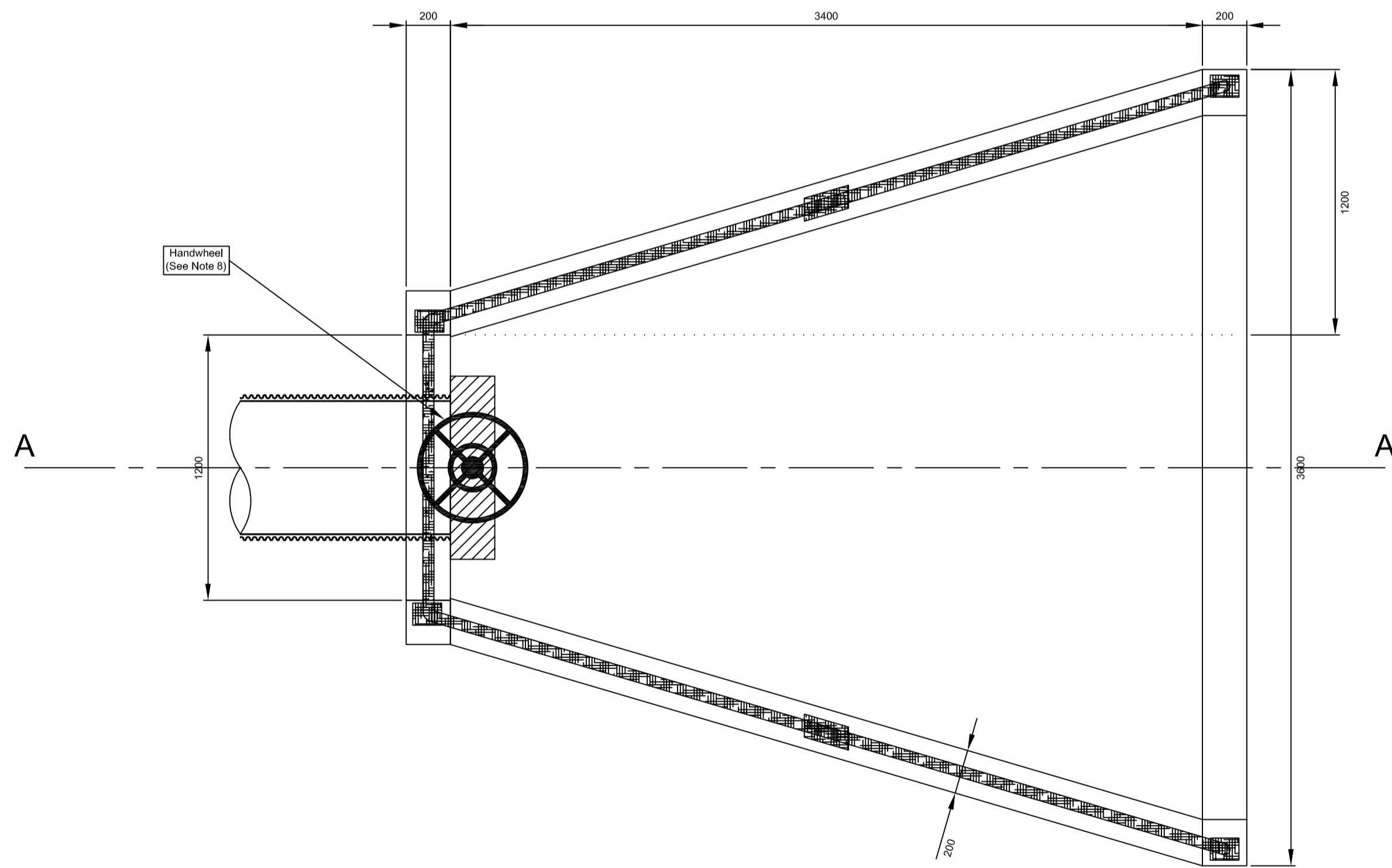


OUTF 'X' Outfall into lagoons



Section A-A

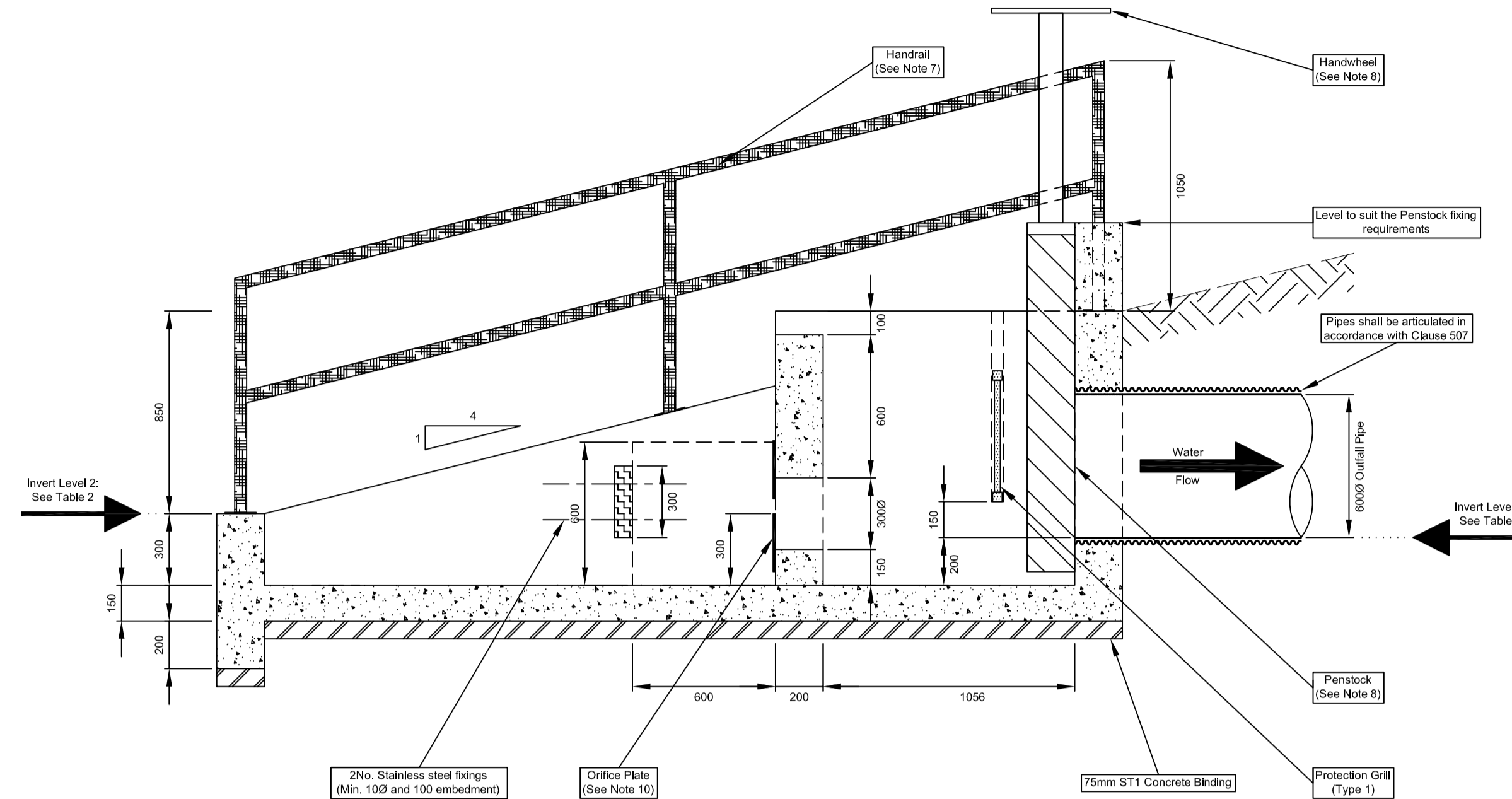


Plan

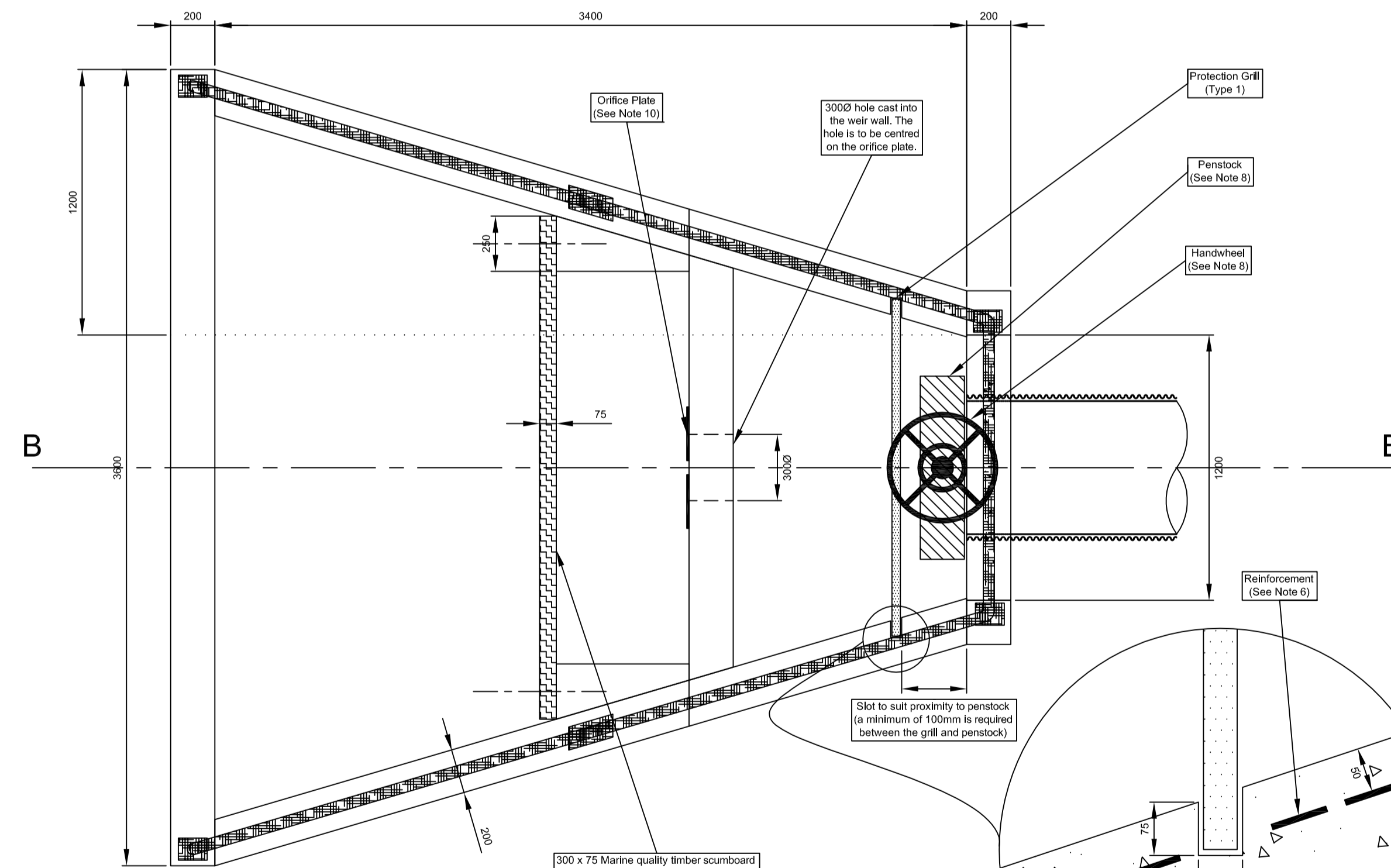
Table 1

Reference No.	Invert Level 1
OUTF 4	T.B.C. m
OUTF 5	T.B.C. m
OUTF 6	T.B.C. m
OUTF 7	T.B.C. m
OUTF 8	T.B.C. m
OUTF 9	T.B.C. m

OUTL 'X' Outfall from lagoons



Section B-B



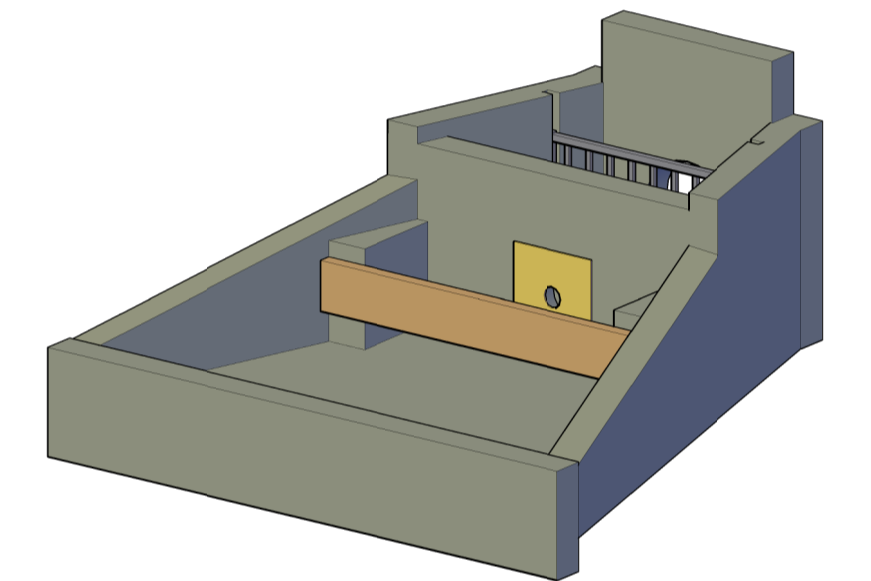
Plan

Table 2

Reference No.	Invert Level 2	Invert Level 3	Orifice Hole Ø
OUTL 4	T.B.C. m	T.B.C. m	T.B.C. m
OUTL 5	T.B.C. m	T.B.C. m	T.B.C. m
OUTL 6	T.B.C. m	T.B.C. m	T.B.C. m
OUTL 7	T.B.C. m	T.B.C. m	T.B.C. m
OUTL 8	T.B.C. m	T.B.C. m	T.B.C. m
OUTL 9	T.B.C. m	T.B.C. m	T.B.C. m

- NOTES**
- Levels are in metres above ordnance datum.
 - All other dimensions are in millimetres unless stated otherwise.
 - All concrete other than blinding to be ST4.
 - Concrete finishes to be:
 - Class F1 external faces
 - Class F2 internal faces
 - Class U1 top of slabs
 - Class U2 to all other unformed surfaces
 - All exposed edges shall be chamfered 20mm x 20mm.
 - Mesh reinforcement to be BS4483 1998 type A193. It shall be placed at both faces of the walls, weirs and slabs. 50mm cover. The minimum lap dimension for reinforcement is to be 300mm, including between base, backwall and sidewalls.
 - Pedestrian restraint system shall be proprietary system in 50mmØ galvanised tubular steel. It shall be minimum Loading Class 2. Refer to Appendix 4/1.
 - The penstocks shall be to the same size as the 'Outfall Pipe' diameter (as indicated in Table 2) and shall have a non-rising hand wheel. It shall be fixed to the structure in accordance with the manufacturers recommendations.
 - Refer to drawing B1297000/0500.01a/015 for details of the protection grills. The lower edge of the protection grill shall be 150mm above the pipe invert.
 - 550sq. x 10 thick galvanised orifice plate with hole cut centrally, the diameter of which is to be as indicated in Table 2. The plate shall be bolted to the structure with 4No. M10 stainless steel bolts and washers with a minimum of 100mm embedment. The plate/structure interface shall be made water tight with propriety silicone mastic sealant between the surfaces. The invert level of the orifice is to match 'Invert Level 2' as dictated in Table 2.
 - Backfill (to suit surrounding landscaping) to all headwalls shall be to SHW Clause 1A1.

PICTORIAL REPRESENTATION OF 'OUTL' (PIPE, HANDRAIL + PENSTOCK OMITTED FOR CLARITY)



R0	05/11/2012	ISSUED FOR REVIEW	ARWS	MS	GW	GW
Rev	Rev. Date	Purpose of revision	Drawn	Checked	Rev'd	Apprv'd



Client: **BEXHILL TO HASTINGS LINK ROAD**

Drawing title: **DRAINAGE LAGOON HEADWALL DETAILS**

Drawing status: **ISSUED FOR REVIEW**

Scale: 1:20 @ A1 DO NOT SCALE
 Jacobs No. B1297000
 Client no.
 Drawing number: **B1297001/0500.01a/0014** Rev **R0**

This drawing is not to be used in whole or part other than for the intended purpose and project as defined on this drawing. Refer to the contract for full terms and conditions.